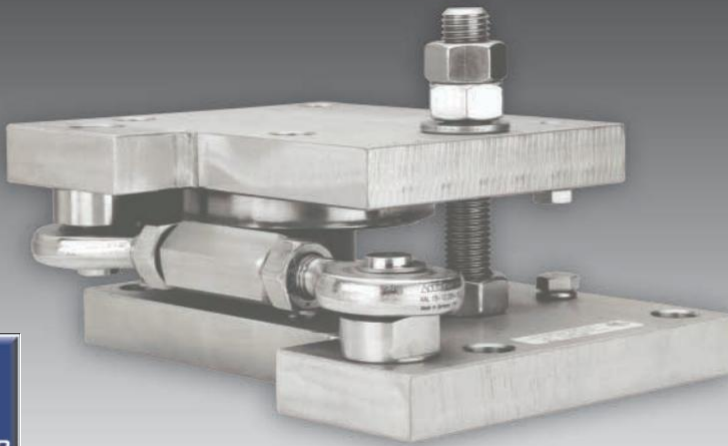


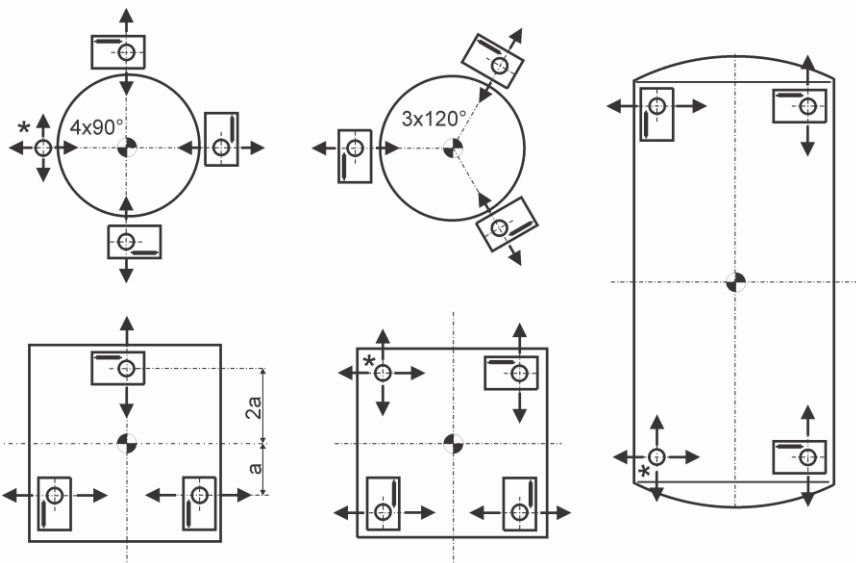


## PR 6011

## Mounting kits for load cell PR 6211



- Simple and fast installation
- Proven mounting kits for vessels
- Best weighing performance since mounting kits and load cells form a complete weighing unit
- Prepared for the installation of a lift-off-protection
- Full stainless steel version available
- Completely maintenance free, inclusive constrainer
- Compact design

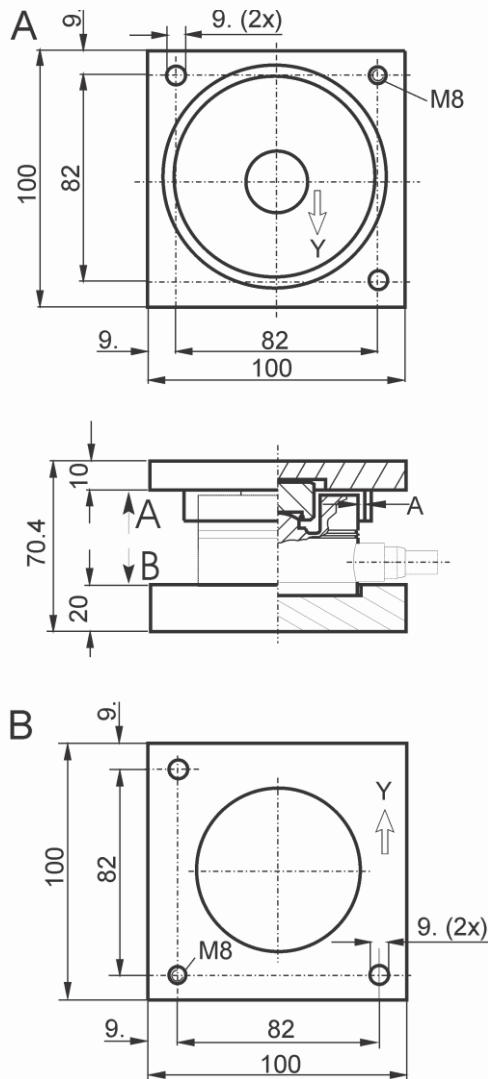


\* do not constrain this point

The standard version is available in zinc plated and yellow chromated steel. For the chemical and food industries with their high requirements to durability and hygiene. The MiniFlexlock is also available in stainless steel. The built-in constrainer absorbs horizontal forces, while leaving the object free to expand in case of temperature changes. The version with constrainer is equipped with dummies. The mounting kits are 100% maintenance free.

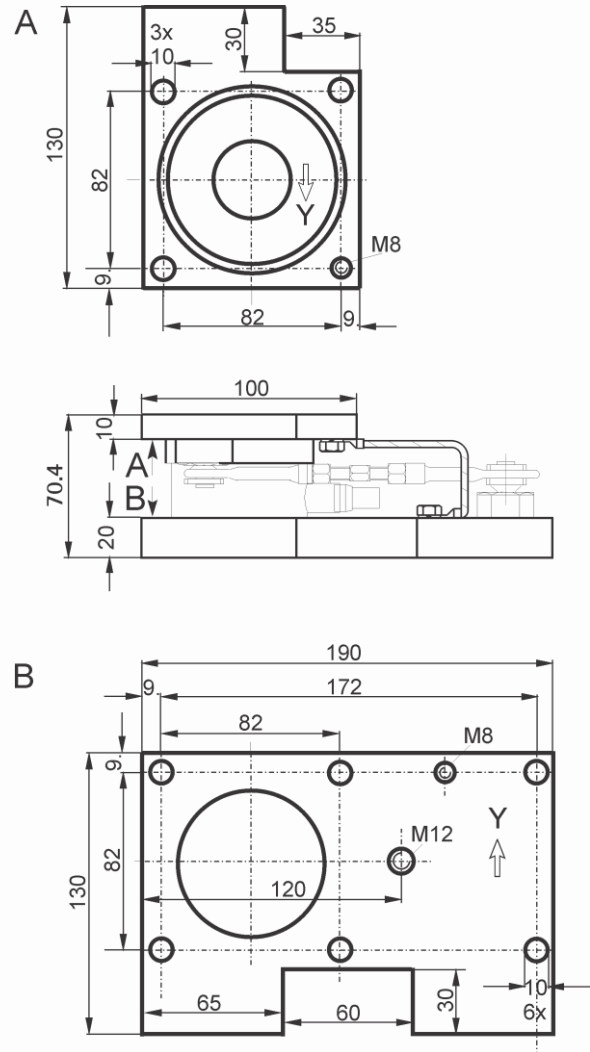
## Mounting plate kit and MiniFLEXLOCK for PR 6211 (500kg... 10t)

PR 6011/10N&S



Dimensions in mm

MiniFLEXLOCK PR 6011/30N&S



Dimensions in mm

### PR 6011/10

#### Technical data

Mounting with bolts M10

#### Version

- N-Version: mild steel, zinc plated, yellow chromated
- S-Version: stainless steel 1.4301 according to DIN 17440

### MiniFLEXLOCK PR 6011/30

#### Technical data

Mounting with bolts M8

Max. continuous horizontal force for the constrainer 5kN

Destructive force of the constrainer > 10kN

#### Version

- N-Version: mild steel, zinc plated, yellow chromated
- S-Version: stainless steel 1.4301 according to DIN 17440 (all parts including the swivel bearings are made of stainless steel)

#### Accessories

(supplied with the mounting kits)

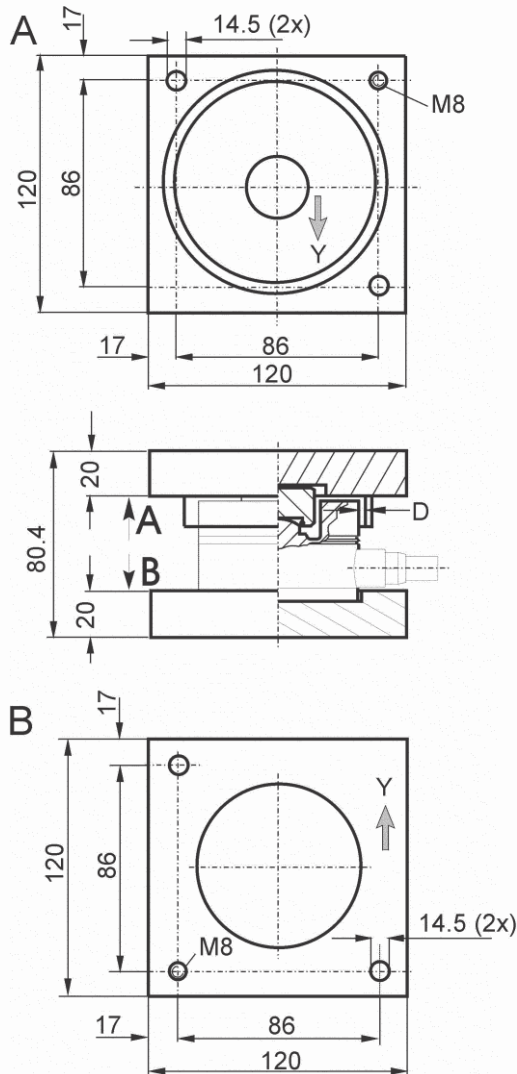
- Bolts and washer to fix the earthing cable
- Instruction manual
- Drilling template

### Order information

Type	Description	Packing	Weight gross/net	Order number
PR6011/10N	Mounting plate kit	27 x 16 x 3cm	2.4kg/2.3kg	9405 360 11101
PR6011/10S	Mounting plate kit, stainless steel	27 x 16 x 3cm	2.4kg/2.3kg	9405 360 11102
PR6011/30N	MiniFLEXLOCK, 5kN	22 x 16 x 12cm	5.5kg/5.1kg	9405 360 11301
PR6011/30S	MiniFLEXLOCK, 5kN, stainless steel	22 x 16 x 12cm	5.5kg/5.1kg	9405 360 11302

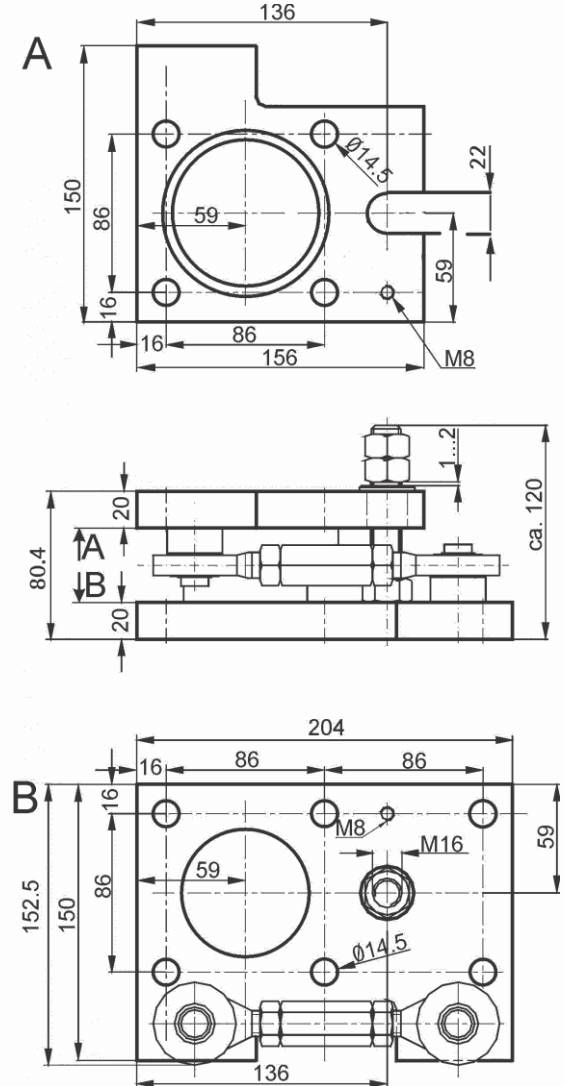
## Mounting plate kit and SeismoFLEX for PR 6211 (500kg... 10t)

PR 6011/11N&S



Dimensions in mm

PR6011/40N&S



Dimensions in mm

### PR 6011/11

#### Technical data

Mounting with bolts M12

#### Version

- N-Version: mild steel, zinc plated, yellow chromated
- S-Version: stainless steel 1.4301 according to DIN 17440

### MiniFLEXLOCK PR 6011/40

#### Technical data

Mounting with bolts M12

Max. continuous horizontal force for the constrainer 20kN

Destructive force of the constrainer > 50kN

#### Version

- N-Version: mild steel, zinc plated, yellow chromated
- S-Version: stainless steel 1.4301 according to DIN 17440 (all elements including the swivel bearings are made of stainless steel)

#### Accessories

(supplied with the mounting kits)

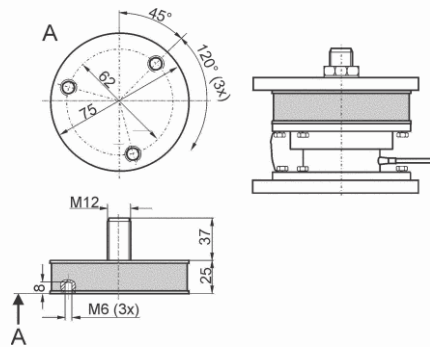
- Bolts and washer to fix the earthing cable
- Instruction manual
- Drilling template

### Order information

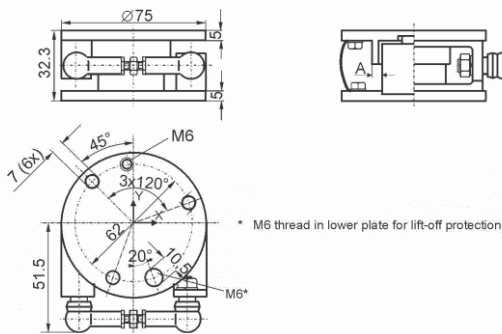
Type	Description	Packing	Weight gross/net	Order number
PR6011/11N	Mounting plate kit	18 x 15 x 18cm	6.9kg/6.5kg	9405 360 11111
PR6011/11S	Mounting plate kit, stainless steel	18 x 15 x 18cm	6.9kg/6.5kg	9405 360 11112
PR6011/40N	MiniFLEXLOCK, 20kN	24 x 19 x 18cm	8.58kg/8.13kg	9405 360 11401
PR6011/40S	MiniFLEXLOCK, 20kN, stainless steel	30 x 16 x 17cm	8.40kg/8.15kg	9405 360 11402

## Mounting kits for PR 6211 (30kg... 300kg)

Rubber Mounting Kit PR 6011/03

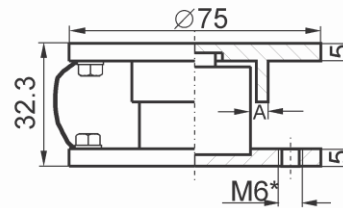


PR 6011/20

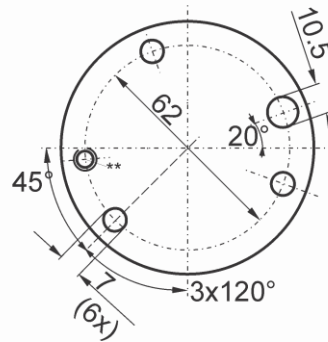


Dimensions in mm

Mounting Plate Kit PR 6011/00



\*\* M6 thread in lower plate for lift-off protection



Dimensions in mm

### Rubber mounting kit PR 6011/03N

Suitable for PR6211 with capacities from 30kg up to 300kg

### Max. vertical load

450kg

### Operating temperature

-45°C... +70°C (-49°F... +158°F)

### PR 6011/00

#### Technical data

Mounting with bolts M6

#### Version

- N-Version: mild steel, zinc plated, yellow chromated
- S-Version: stainless steel 1.4301 according to DIN 17440

### MiniFLEXLOCK PR 6011/20

#### Technical data

Mounting with bolts M6

Max. continuous horizontal force of the constrainer 450N

#### Version

- N-Version: mild steel, zinc plated, yellow chromated
- S-Version: stainless steel 1.4301 according to DIN 17440 (all parts including the constrainer are made of stainless steel)

#### Accessories

(supplied with the mounting kits)

- Bolts and washer to fix the earthing cable
- Instruction manual
- Drilling template

### Order information

Type	Description	Packing	Weight gross/net	Order number
PR6011/00N	Mounting plate kit	22 x 15 x 4cm	0.5kg/0.4kg	9405 360 11001
PR6011/00S	Mounting plate kit, Stainless steel	22 x 15 x 4cm	0.5kg/0.4kg	9405 360 11002
PR6011/03N	Elastomerlager	-	0.34kg/0.3kg	9405 360 11031
PR6011/20N	MiniFLEXLOCK, 450N	22 x 15 x 4cm	0.6kg/0.5kg	9405 360 11201
PR6011/20S	MiniFLEXLOCK, Stainless steel, 450N	22 x 15 x 4cm	0.6kg/0.5 kg	9405 360 11202

Specifications subject to change without notice.

Printed in Germany. n/sart • C  
9498 760 11001  
Version 02.2005

KontROLS & industrial weighing Pty Ltd  
Unit 6A 11 Bryants Rd  
Dandenong 3175  
Victoria, Australia  
Ph: 613 9791 5569  
Fax: 613 9791 5589  
Web [www.kiw.com.au](http://www.kiw.com.au)  
Email [sales@kiw.com.au](mailto:sales@kiw.com.au)

