



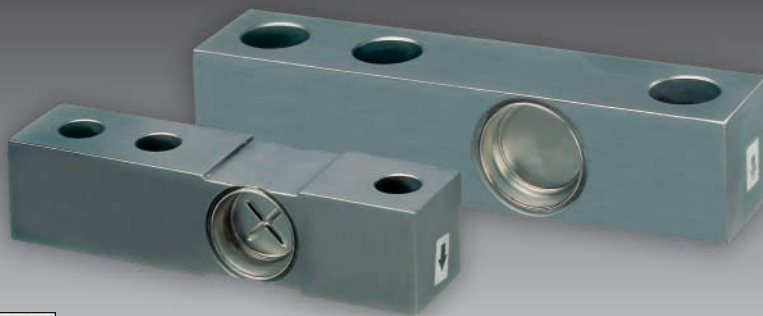
Kontrols & Industrial Weighing

MP 49

Stainless Steel Shear Beam Load Cell



sartorius
mechatronics



500kg... 5t Type N/C3

- Full stainless steel construction
- Compatible with other sources
- Hermetically welded seal (IP 67)
- Approved according to OIML R60

Applications

- Platform scales
- Tank & Hopper scales

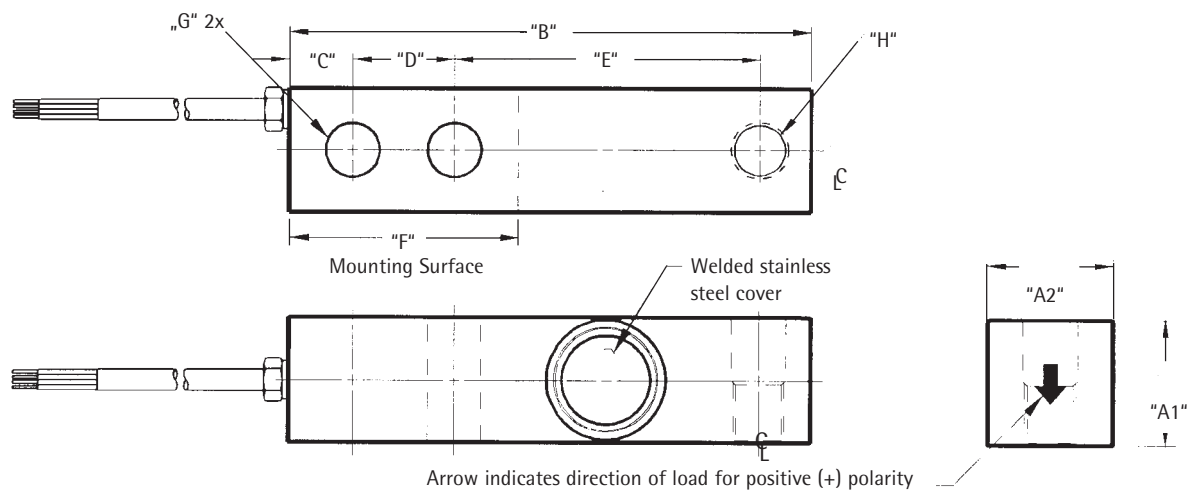
Technical Data		N	C3	
Accuracy class		0.03	0.025	%
Minimum dead load	E_{min}	2	2	% E_{max}
Rated capacity	E_{max}	s. table	s. table	
Safe overload	E_U	150	150	% E_{max}
Destructive load	E_d	> 300	> 300	% E_{max}
Minimum LC verification interval $v_{min} = E_{max}/Y$		-	8,333	
Rated output	C_n	2	2	mV/V
Tolerance on rated output	d_c	≤ 0.25	≤ 0.25	% C_n
Zero output signal	S_{min}	≤ 1	≤ 1	% C_n
Repeatability	ϵ_R	≤ 0.012	≤ 0.012	% C_n
Creep, during 30min.	d_{cr}	≤ 0.03	≤ 0.017	% C_n
Temperature effect on S_{min}	$TK_{S_{min}}$	≤ 0.028	≤ 0.017	% $C_n/10K$
Temperature effect on C	TK_c	≤ 0.014	≤ 0.011	% $C_n/10K$
Input impedance	R_{LC}	350 ± 7	350 ± 7	Ω
Output impedance	R_o	352 ± 3	352 ± 3	Ω
Insulation impedance	R_{IS}	> 2,000	> 2,000	M Ω
Recommended supply voltage	B_u	10	10	V
Maximum supply voltage	U_{max}	15	15	V

Technical Data

		N	C3	
Nominal ambient temperature range	B_T	-10 to +40	-10 to +40	° C
Usable ambient temperature range	B_{TU}	-20 to +65	-20 to +65	° C
Nominal deflection	s_{nom}	≤ 0.7 (to 2t), $\leq 1,4$ (3t, 5t)	≤ 0.7 (to 2t), $\leq 1,4$ (3t, 5t)	mm
Cable	-	6m, 4 wires with screen	6m, 4 wires with screen	
Protection class	-	IP 67	IP 67	

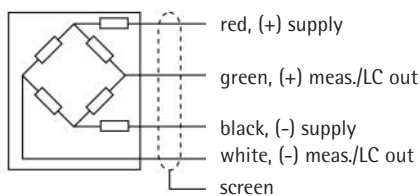
The technical data given here serve only as a product description and must not be interpreted as guaranteed characteristics in the legal sense.

- Temperature effect on sensitivity and combined error (accuracy class) are combined in such a way that the load cells meet the tolerance envelope of the OIML recommendations R60.
- When selecting load cells for a particular environment, the IP rating should only be used as a guide. Care should be given to the design of the weighing product to protect the load cell.
- The correct mounting of the load cell is essential to obtain optimum performance.



Dimensions all in mm

Capacity	F	E	D	C	B	A1	A2	Ø G	Ø H	H	Weight
500kg... 2t	57.1	76.2	25.4	16	130	31	31	13.0	13.0	M12 x 1.75	1.8kg
3t, 5t	76.2	95.2	38.1	19	171.4	37.8	37.8	20.6	20.6	M20 x 2.5	2.9kg



Order information

Type	Order number	Type	Order number	Max. capacity (2mV/V)
MP49/52 N	9408 800 49521	MP49/52 C3	9408 800 49527	500kg
MP49/13 N	9408 800 49131	MP49/13 C3	9408 800 49137	1000kg
MP49/23 N	9408 800 49231	MP49/23 C3	9408 800 49337	2000kg
MP49/33 N	9408 800 49331	MP49/33 C3	9408 800 49527	3000kg
MP49/53 N	9408 800 49531	MP49/53 C3	9408 800 49537	5000kg

Specifications subject to change without notice.
Printed in Germany.
n/sart • C
9498 708 49001
Version 01.2005

Kontrols & Industrial Weighing
Unit 6A, 11 Bryants Rd
Dandenong, 3175 VIC
AUSTRALIA

Tel. +61 3 9791 5569
Fax. +61 3 9791 5589
e-mail: sales@kiw.com.au
www.kiw.com.au