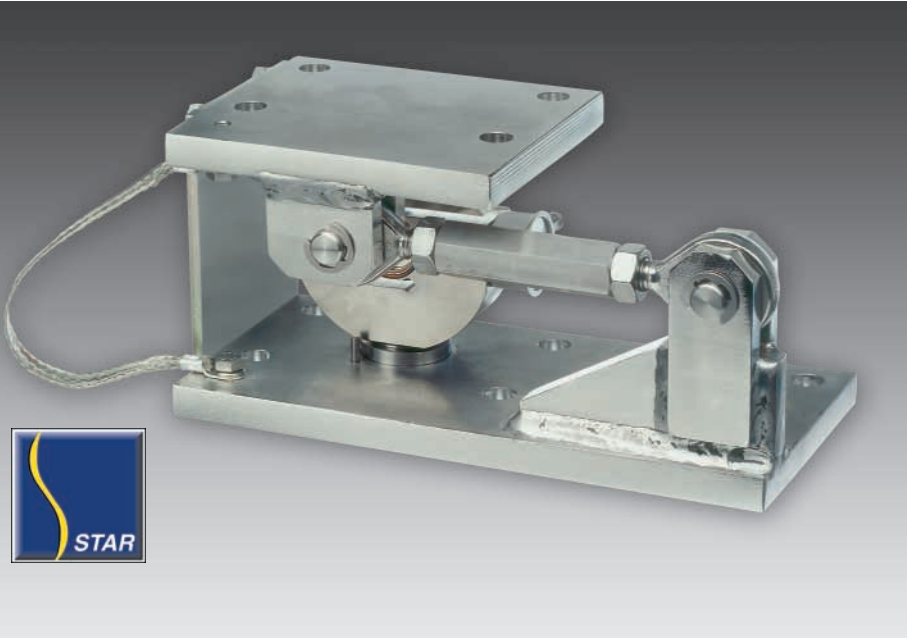




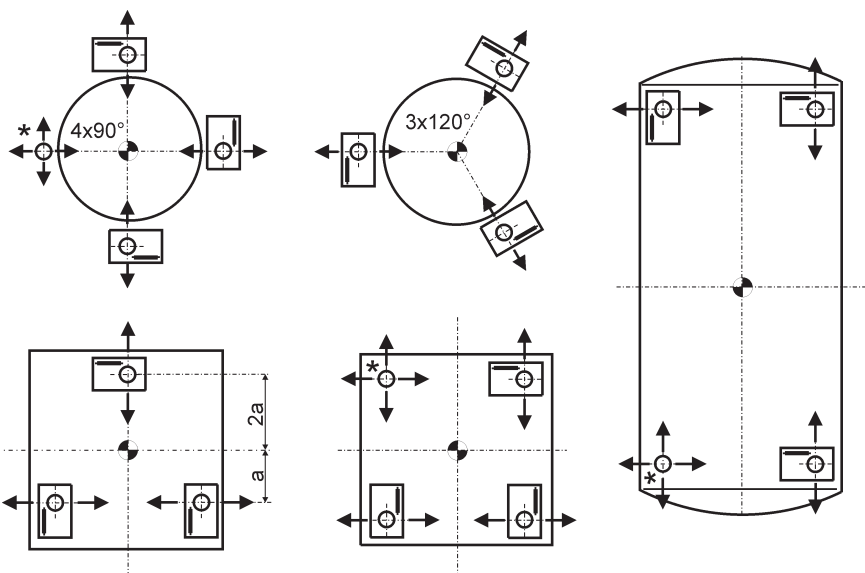
Kontrols & Industrial Weighing

PR 6041, PR 6043

Mounting kits for load cell PR 6241



- Simple and fast installation because dummies are included in the supply
- Proven mounting kits for vessels and platforms
- Best weighing performance since mounting kits and load cells form a complete weighing unit
- Prepared for the installation of a lift-off-protection
- Full stainless steel version available
- Completely maintenance free, inclusive constrainer
- Compact design

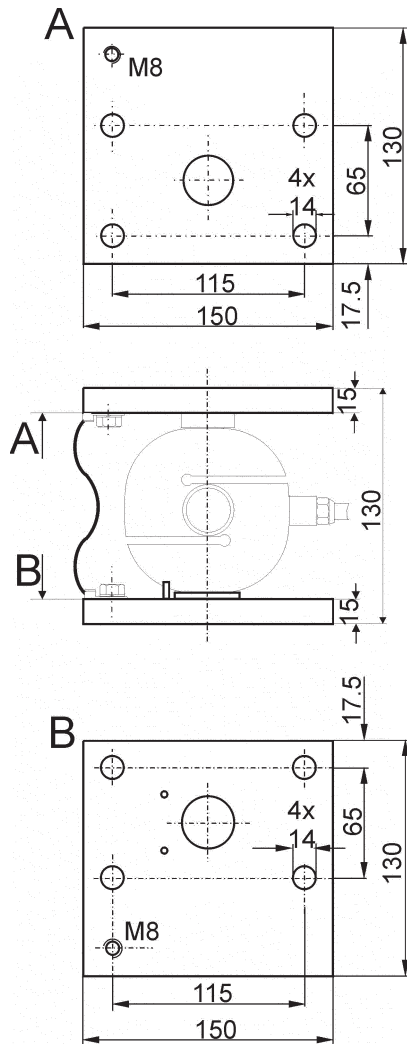


The standard version is available in zinc plated and yellow chromated steel. For the chemical and food industries with their high requirements to durability and hygiene. The MiniFlexlock is also available in stainless steel. The built-in constrainer absorbs horizontal forces, while leaving the object free to expand in case of temperature changes. The version with constrainer is equipped with dummies. The mounting kits are 100% maintenance free.

* do not constrain this point

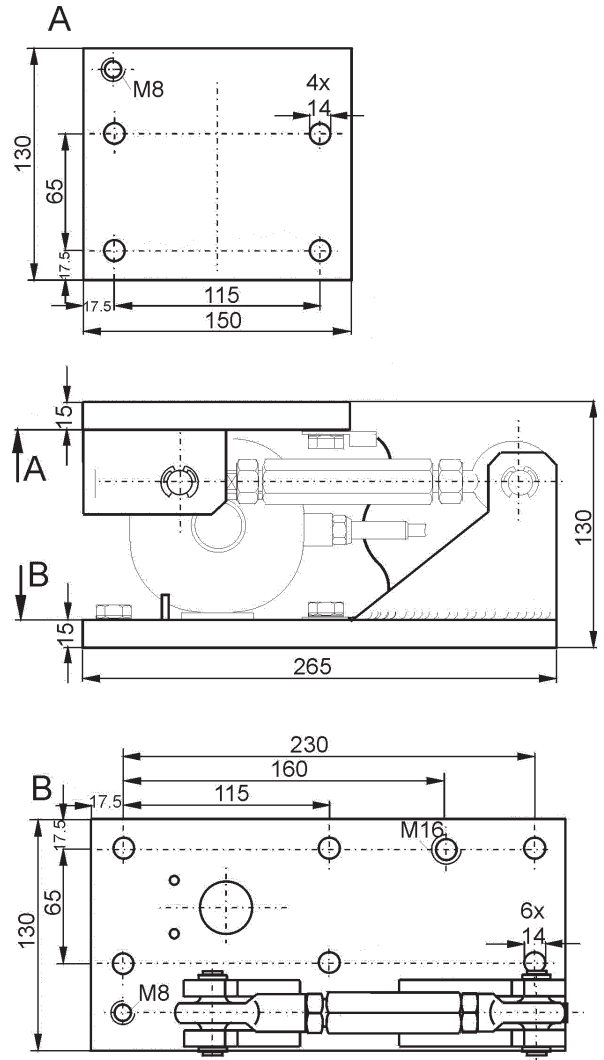
Mounting plate kit and MiniFLEXLOCK for PR 6241 (3t, 5t)

PR 6041/40N&S



Dimensions in mm

MiniFLEXLOCK PR 6043/40N&S



Dimensions in mm

PR 6041/40

Technical data

Mounting with bolts M12

Version

- N-Version: steel, zinc plated, yellow chromated
- S-Version: stainless steel 1.4301 according to DIN 17440

Order information

Type	Description	Packing	Weight gross/net	Order number
PR6041/40N	Mounting plate kit	18 x 15 x 18cm	6.9kg/6.5kg	9405 360 41401
PR6041/40S	Mounting plate kit, stainless steel	18 x 15 x 18cm	6.9kg/6.5kg	9405 360 41402
PR6043/40N	MiniFLEXLOCK, 18kN	30 x 16 x 17cm	10.6kg/10.2kg	9405 360 43401
PR6043/40S	MiniFLEXLOCK, 18kN, stainless steel	30 x 16 x 17cm	10.6kg/10.2kg	9405 360 43402

MiniFLEXLOCK PR 6043/40

Technical data

Mounting with bolts M12

Max. continuous force for the constrainer 18kN

Destructive force of the constrainer > 50kN

Version

- N-Version: steel, zinc plated, yellow chromated
- S-Version: stainless steel 1.4301 according to DIN 17440 (all parts including the swivel bearings are made of stainless steel)

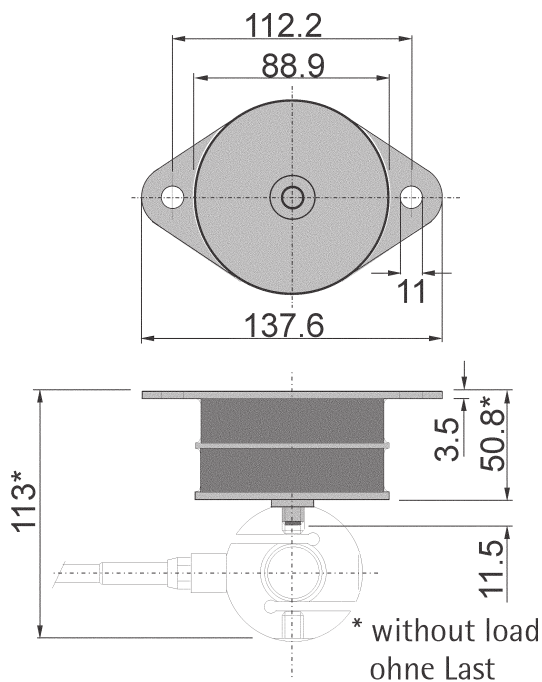
Accessories

(supplied with the mounting kit)

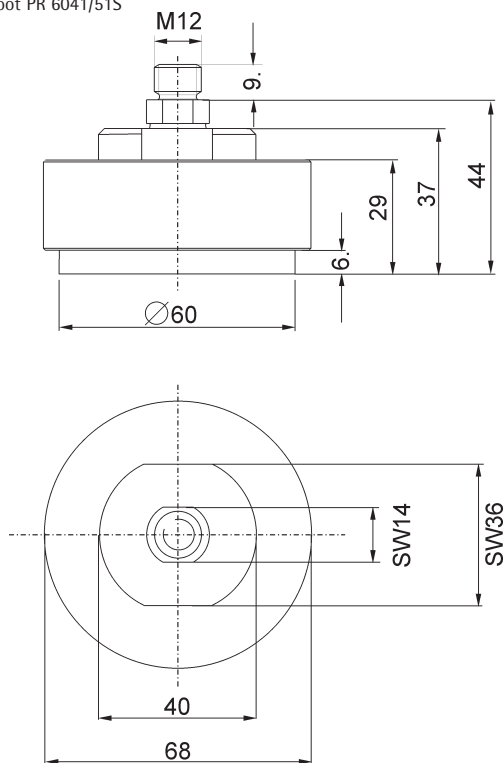
- Bolts and washers to fix the earthing cable
- Dummy with a permissible load of 5t
- Instruction manual
- Drilling template

Rubber mounting kit PR 6041/03N, Platform foot PR 6041/51S

Rubber Mounting Kit PR 6041/03N



Platform foot PR 6041/51S



Dimensions in mm

Dimensions in mm

Rubber mounting kit PR 6041/03N

Suitable for load cells PR 6241 with capacities between 100kg and 500kg

Max. vertical compression load
750kg

Max. vertical tension load
100kg

Permissible horizontal force
2.2kN

Horizontal displacement
1mm per 150N

Operating temperature
-25°C... +60°C (-14°F... +140°F)

Storage and transportation
-40°C... +80°C (-40°F... +176°F)

Platform foot PR 6041/51S

Suitable for load cells PR 6241 with capacities between 100kg and 2t

Operating temperature
-30°C... +80°C (-22°F... +176°F)

Accessories
(supplied with the mounting kits)
instruction manual

Order information

Type	Description	Packing	Weight gross/net	Order number
PR6041/03N	Rubber mounting kit (100kg... 500kg)	15 x 9 x 6cm	0.82kg/0.7kg	9405 360 41031
PR6041/51S	Platform foot, stainless steel (100kg... 2t)	-	0.75kg/0.7kg	9405 360 41402

Specifications subject to change without notice.
Printed in Germany.
n/sart • C
9498 760 41431
Version 02.2005

Please feel free to contact one of our sales consultants for further information

Kontrols & Industrial Weighing
Unit 6A, 11 Bryants Rd
Dandenong, 3175 VIC
AUSTRALIA

Tel. +61 3 9791 5569
Fax. +61 3 9791 5589
e-mail: sales@kiw.com.au
www.kiw.com.au